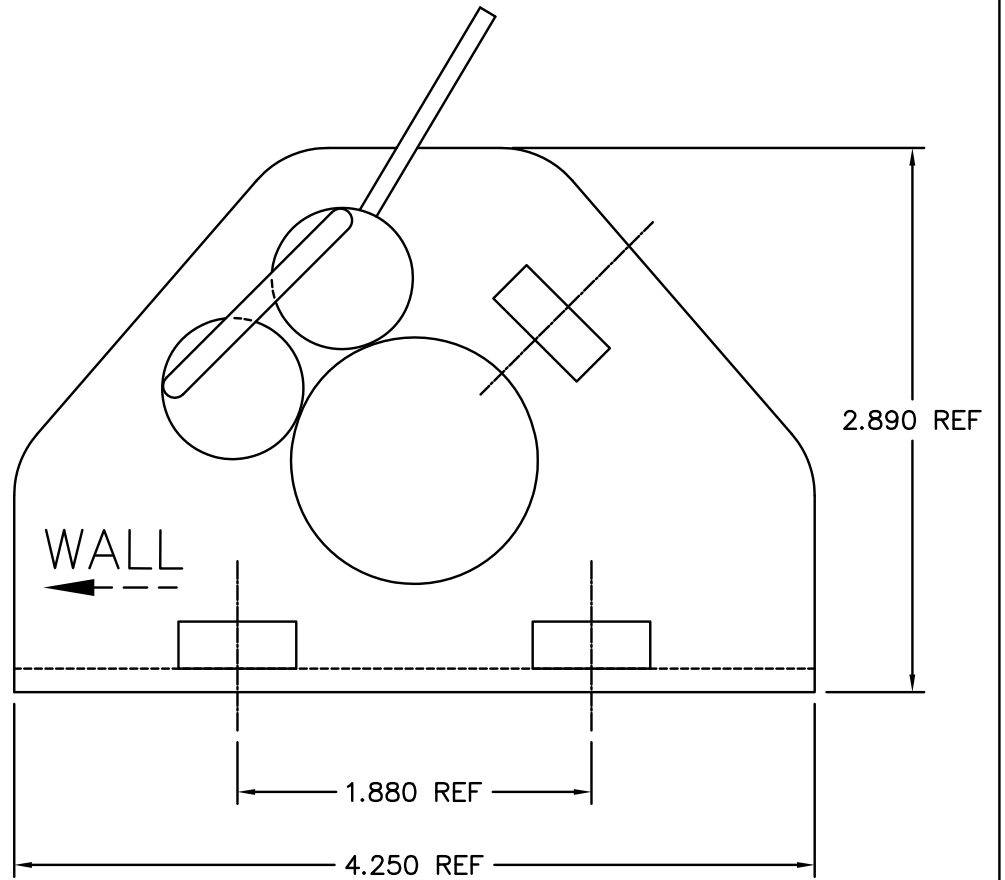
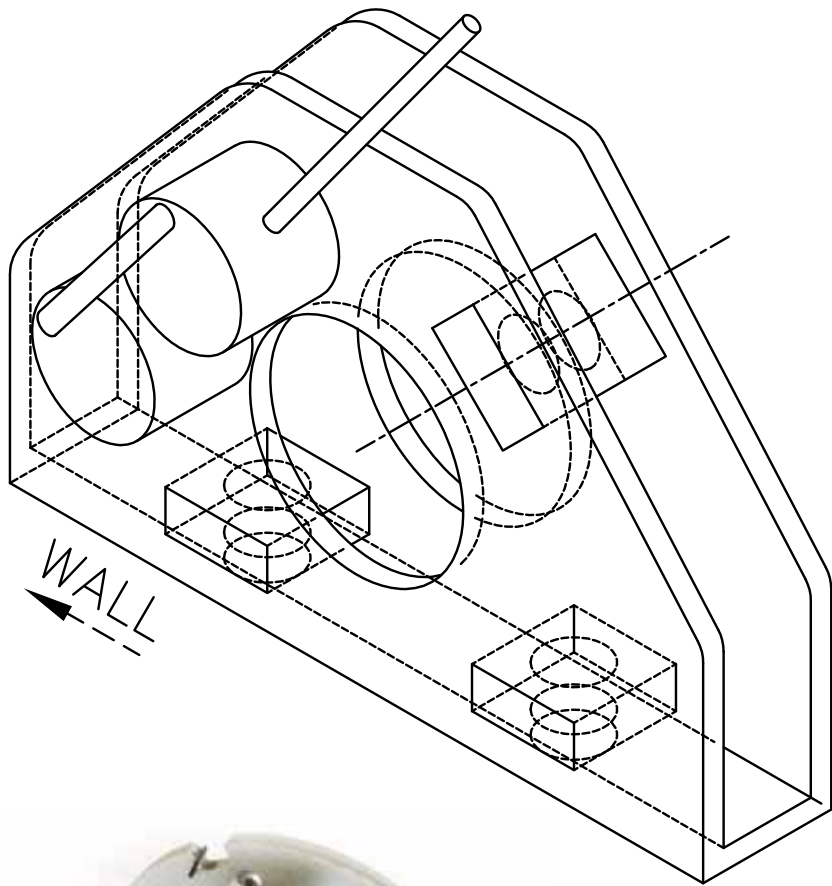


DRAWING NO.  
650060



THIS DRAWING AND ALL PARTS THEREOF ARE THE EXCLUSIVE PROPERTY OF TRAC RITE DOOR, INC. AND MAY NOT BE REPRODUCED IN WHOLE OR PART WITHOUT WRITTEN PERMISSION.

TOLERANCE (UNLESS OTHERWISE SPECIFIED)  
 LINEAR:  $\pm .032"$   
 ANGULAR:  $\pm 2^\circ$

DATE 11-19-04  
 BY JSB APP'D JSB  
 SCALE 1 : 1 SIZE A

**Trac·Rite<sup>®</sup> Door, Inc.**  
 216 Wilburn Road, Sun Prairie, WI 53590  
 Phone: 800-448-8979 Fax: 800-236-8722  
[www.tracrite.com](http://www.tracrite.com)

DESCRIPTION  
 SADDLE W/ TENSIONER, 988  
 DRAWING NO. 650060 REV. -- SHEET 1 OF 1

REV.	ECN	DESCRIPTION	BY	DATE