

SPECIFICATIONS:

PART 1 - MATERIAL:

1.01 Door Guides: Door guides are to be manufactured from 16 gauge (0.060" min.) ASTM A-653 steel, hot dipped galvanized per ASTM A-924 (G-40). Edges covered with polypropylene runners for smooth operation.

1.02 Door Curtain: Door curtains are to be manufactured from 26 gauge (0.018" min.) Grade 80 steel per ASTM A-653, hot dipped galvanized per ASTM A-924 (G-40).

1.03 Door Bracket: Door brackets are to be manufactured from 10 gauge (0.134") ASTM A-653 steel, hot dipped galvanized per ASTM A-924. Brackets to include grease packed ball bearing.

1.04 Bottom Bar Assembly: Door bottom bar to be roll formed from 22 gauge (0.030" min.) ASTM A1011 galvalume, hot dipped, min. yield of 50 ksi. Door backup angle to be manufactured from 12 gauge ASTM A-653 steel, hot dipped galvanized per ASTM A-924 (G-40).

PART 2 - TESTING:

2.01 General: Structural Performance under Uniform Load per ASTM E 330 to safely resist a positive or negative wind load as noted. A test load of 1.5 x design load has been used. Design Load = +15/-17 PSF

PART 3 - EXECUTION:

3.01 General: Trac-Rite rolling steel doors shall be installed following Trac-Rite assembly instructions.

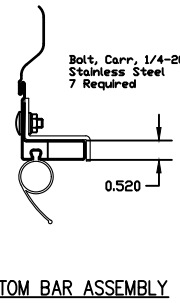
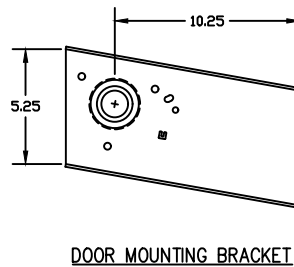
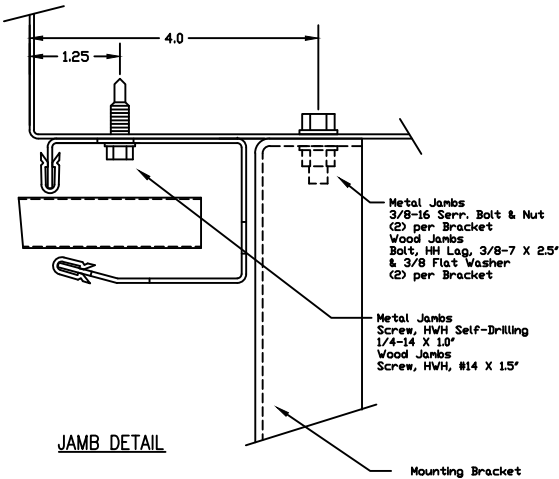
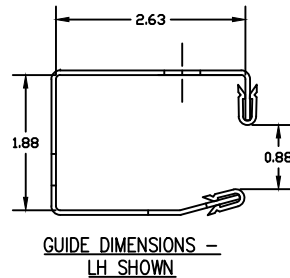
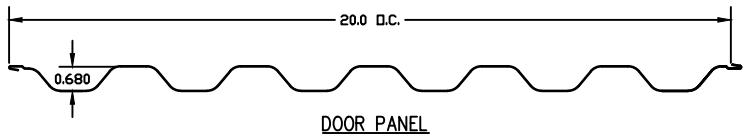
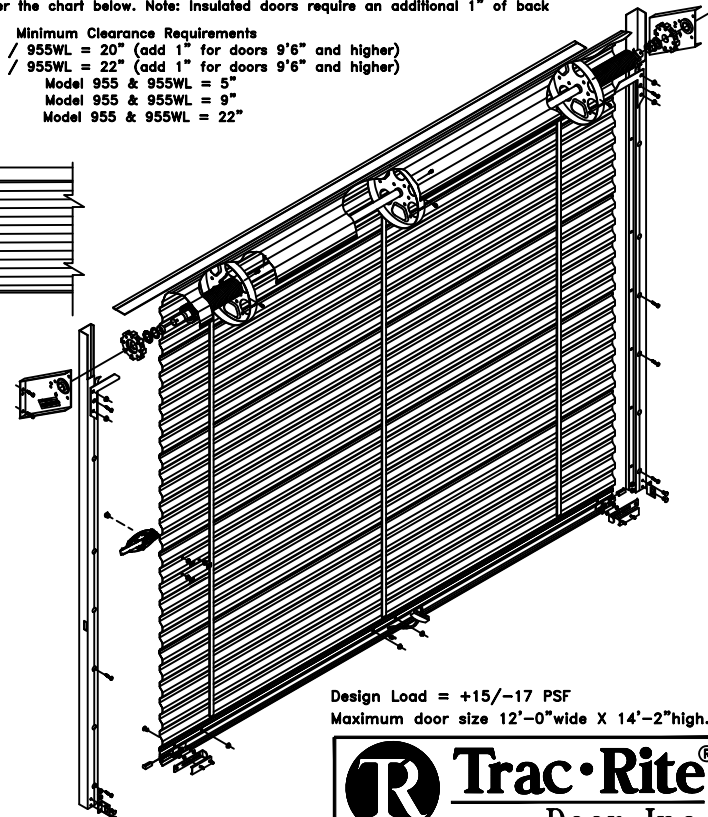
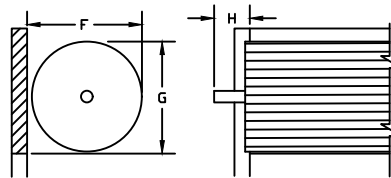
MODEL 955 ROLLING CURTAIN DOOR

955

OVERHEAD DOOR CLEARANCE:

The door coils into a roll when the door is in the raised, open position. Measure to ensure there is enough clearance above the door for the coil per the chart below. Note: Insulated doors require an additional 1" of back room and head room.

F = Back Room	Minimum Clearance Requirements
G = Head Room	Model 955 = 19" / 955WL = 20" (add 1" for doors 9'6" and higher)
H = Side Room	Model 955 = 21" / 955WL = 22" (add 1" for doors 9'6" and higher)
H = Chain Hoist	Model 955 & 955WL = 5"
H = Motor Operator	Model 955 & 955WL = 9"
	Model 955 & 955WL = 22"



Design Load = +15/-17 PSF
Maximum door size 12'-0" wide X 14'-2" high.

Trac-Rite®
Door Inc.

314 Wilburn Road, Sun Prairie, WI 53590
608-837-7899; TOLL FREE: 800-448-8979
FAX: 608-837-0251

DRAWN BY AARON MOREN
CHECKED BY _____ SCALE: NONE
DATE 5/18/2017 SHEET 1 OF 1